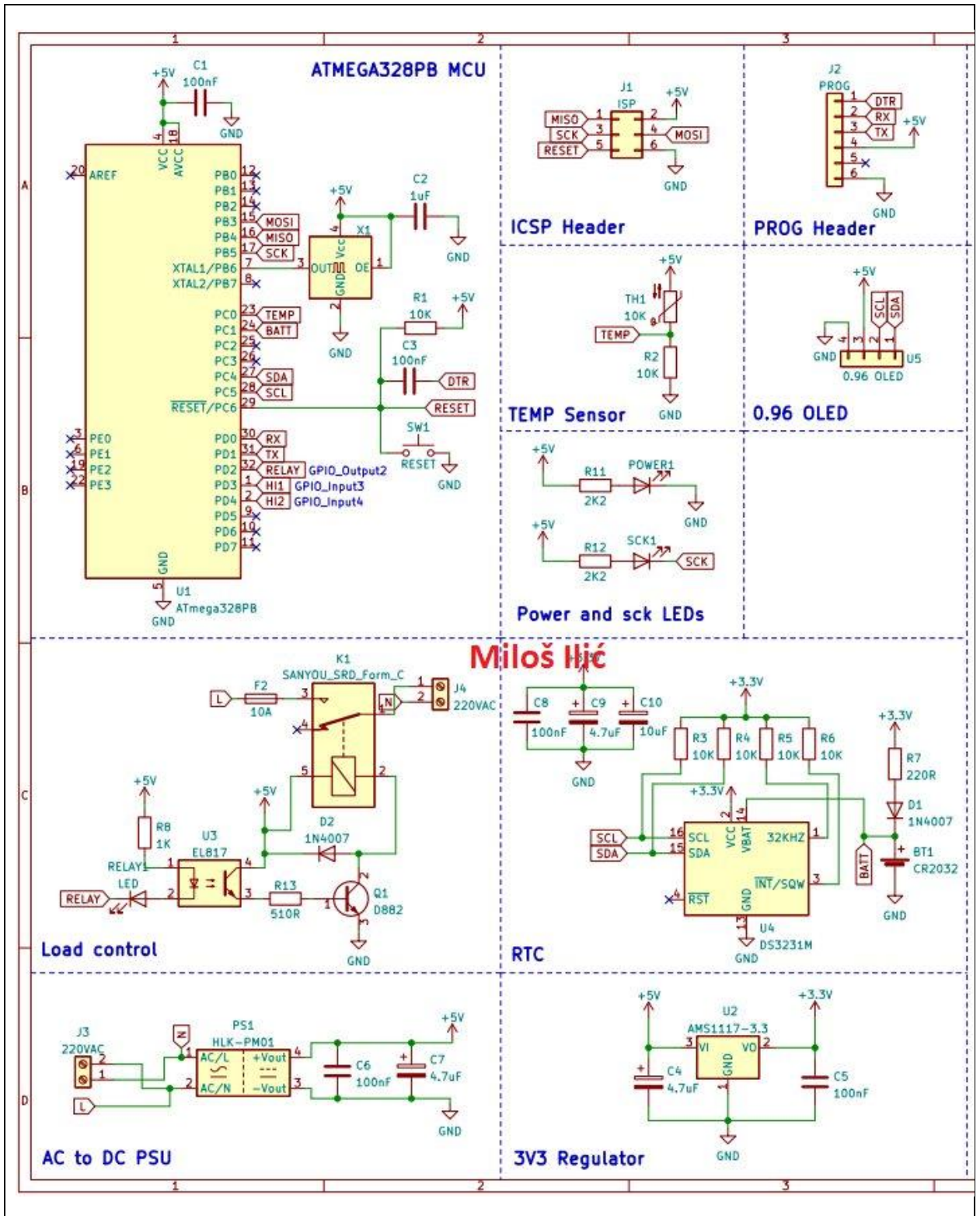
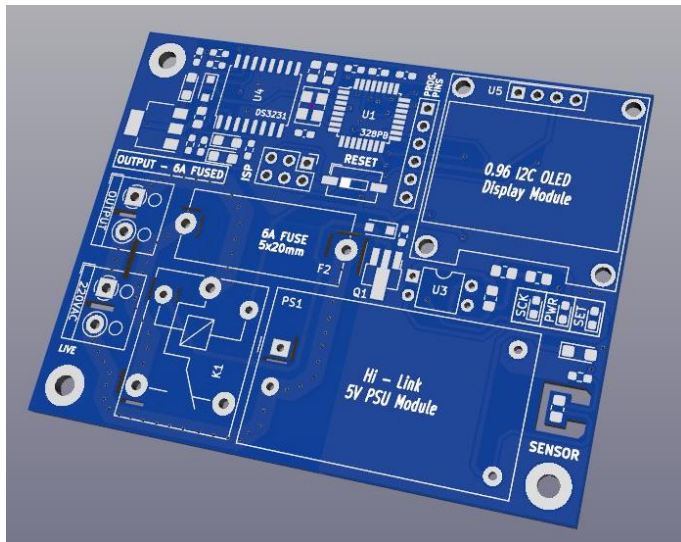
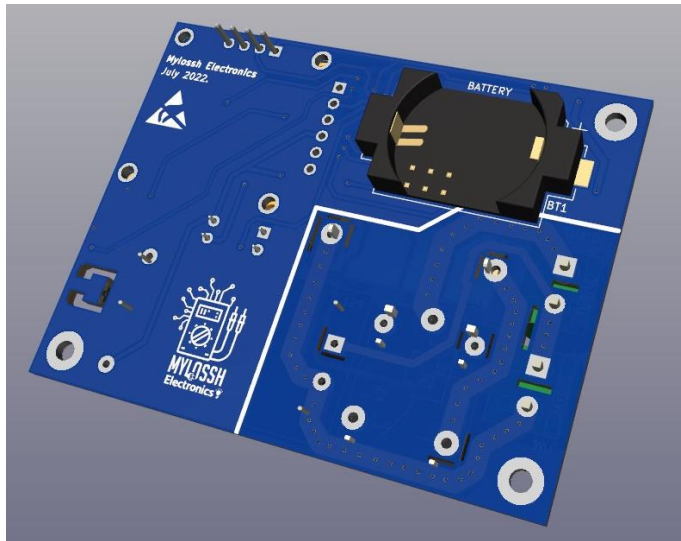
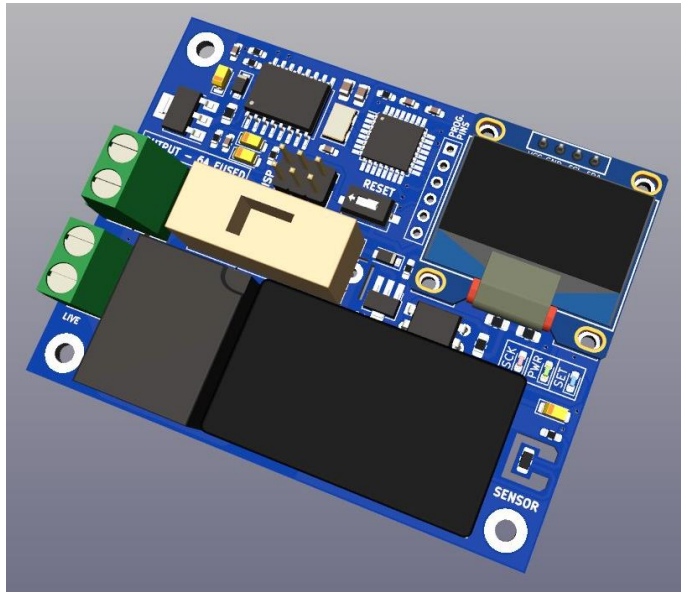
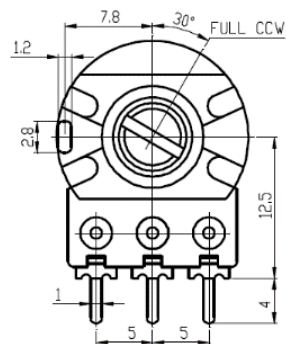
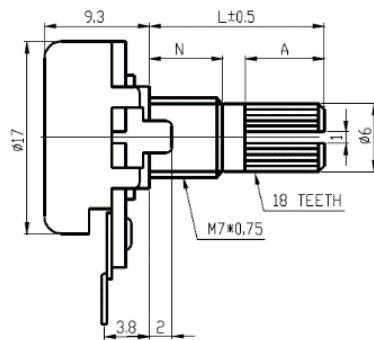


เอกสารประกอบใบงานที่ 6 การสร้างอุปกรณ์และฟุตพริ้นท์ใหม่



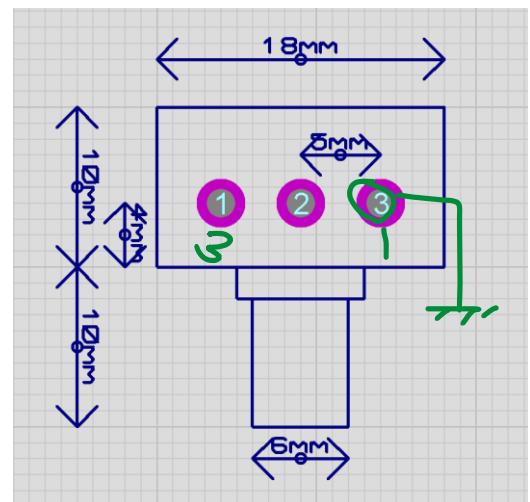
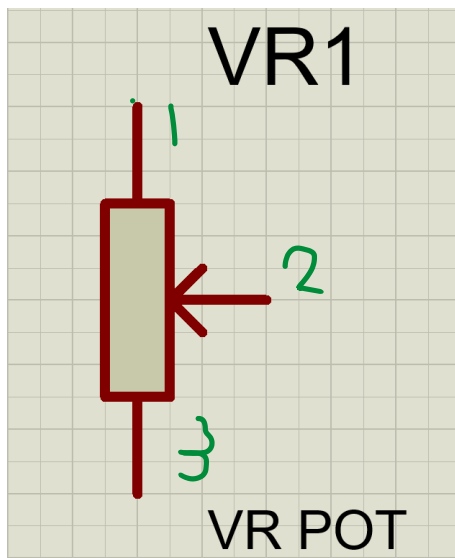
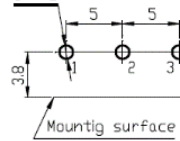




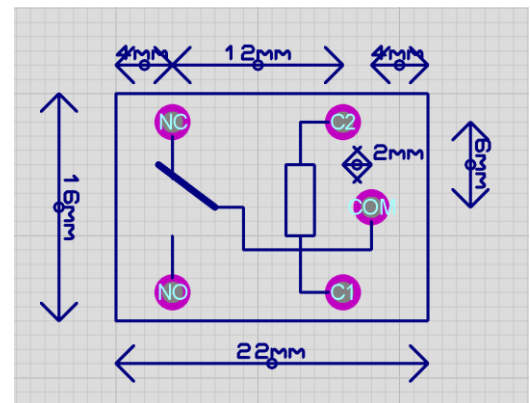
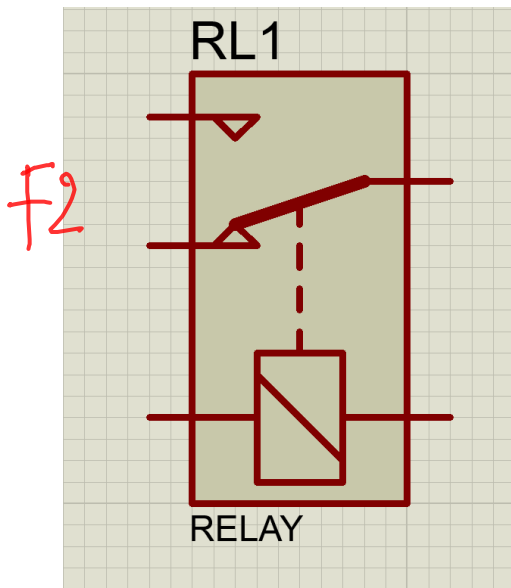
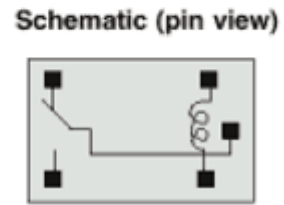
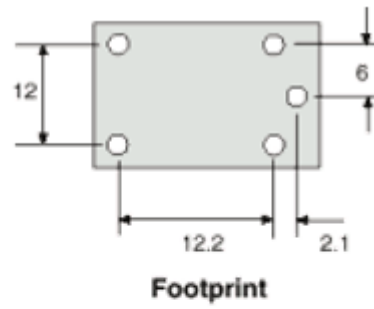
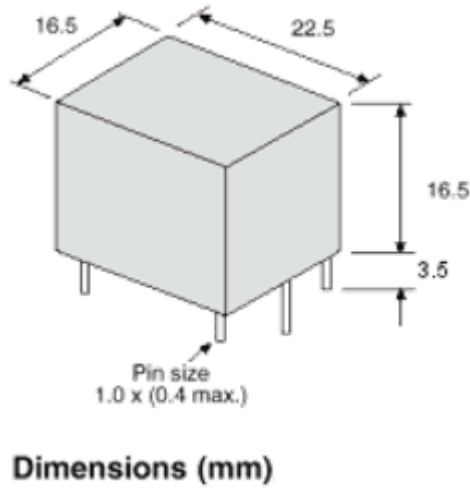
CIRCUIT



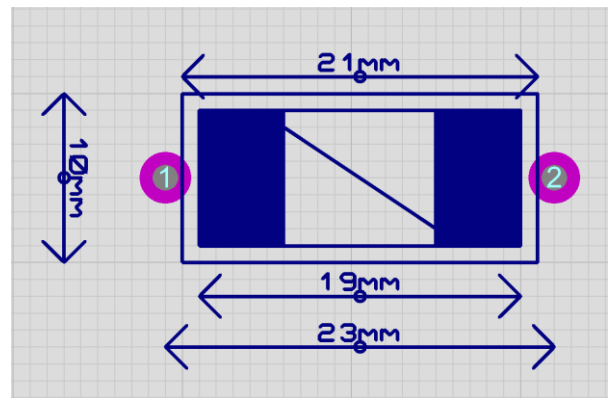
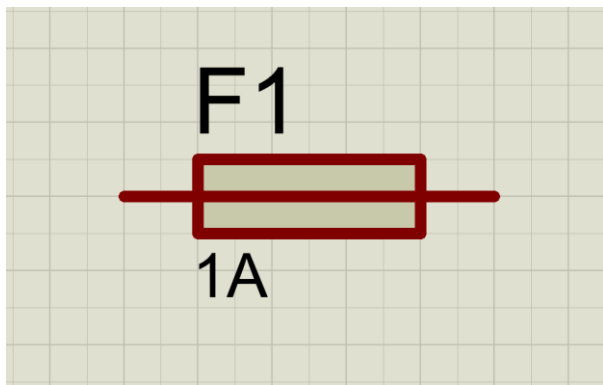
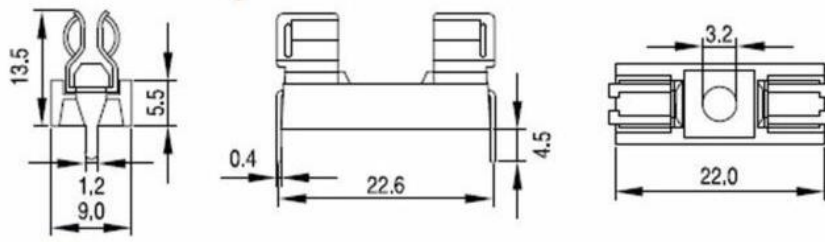
PCB LAYOUT



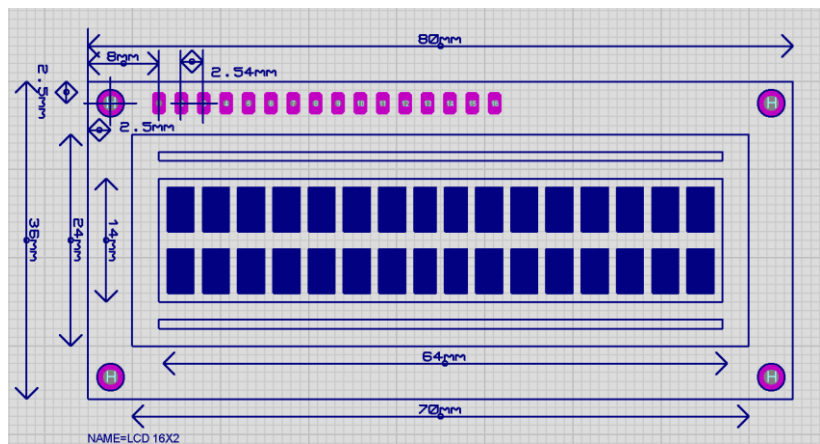
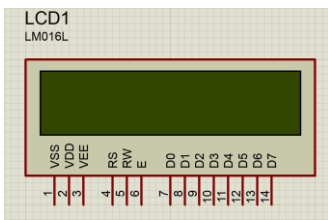
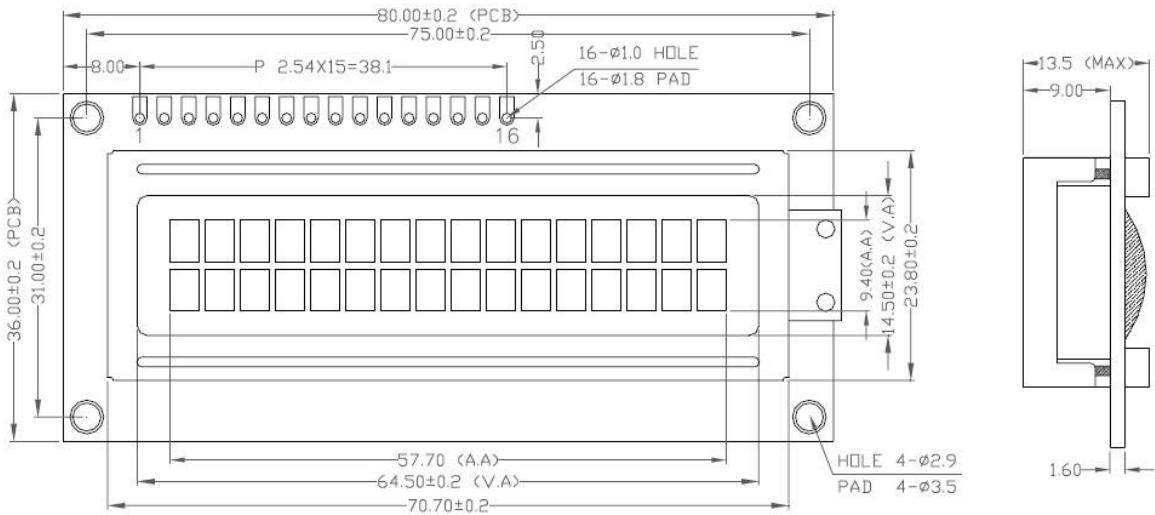
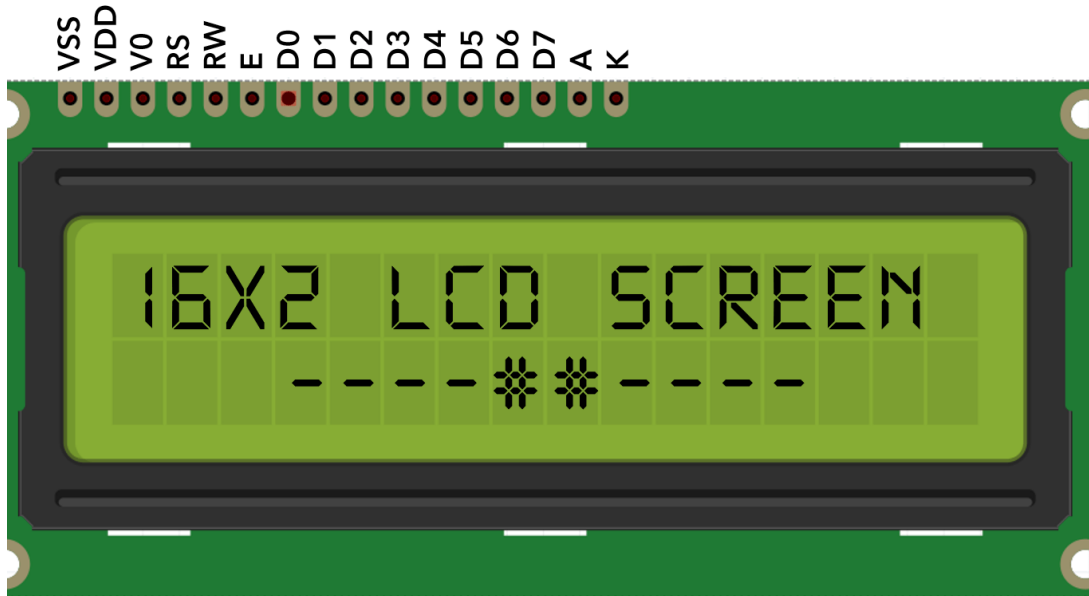
<https://www.3dcontentcentral.com/secure/download-model.aspx?catalogid=171&id=388363>

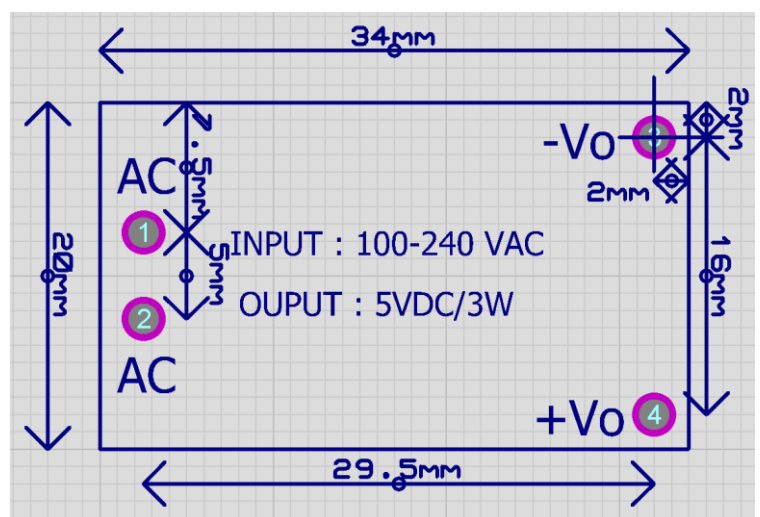
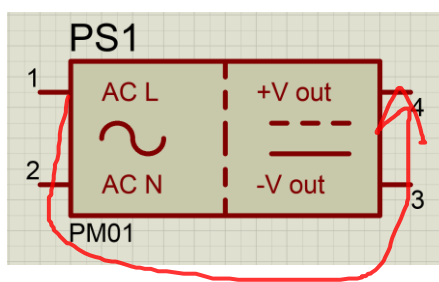
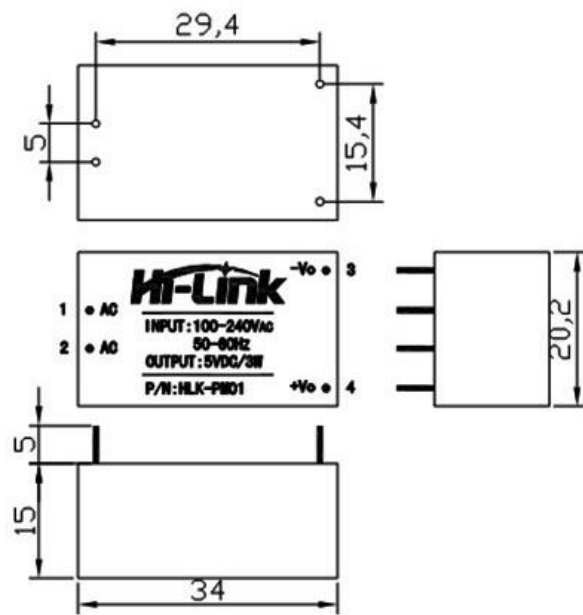
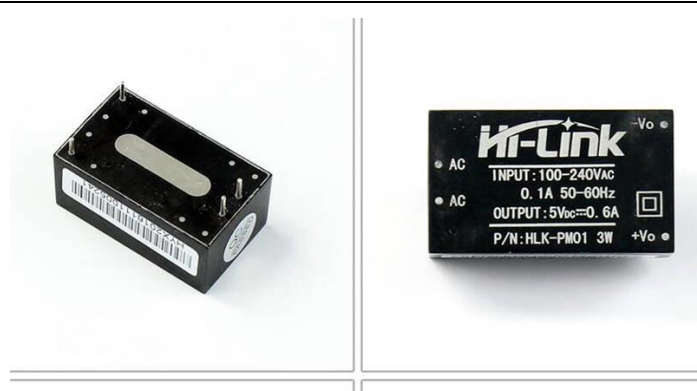


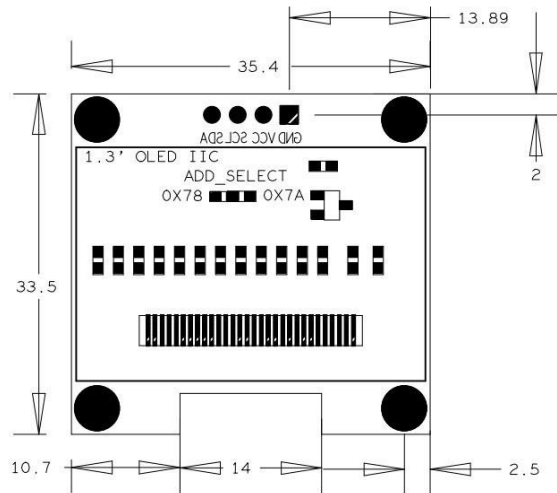
<https://www.3dcontentcentral.com/secure/download-model.aspx?catalogid=171&id=1470671>



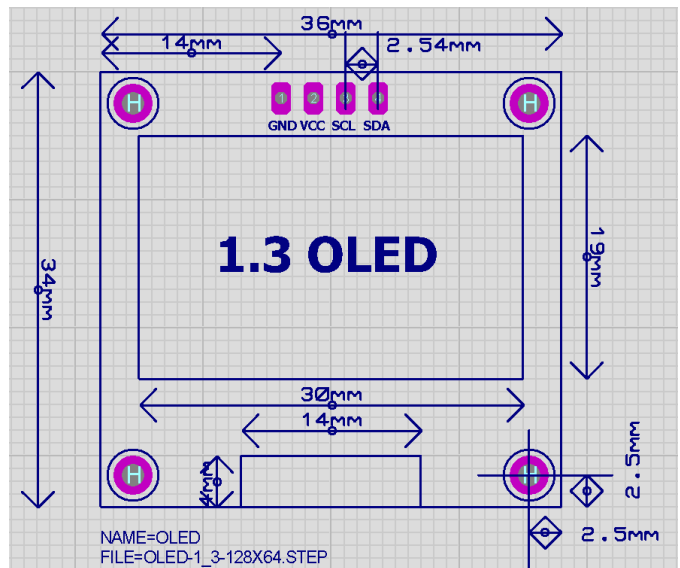
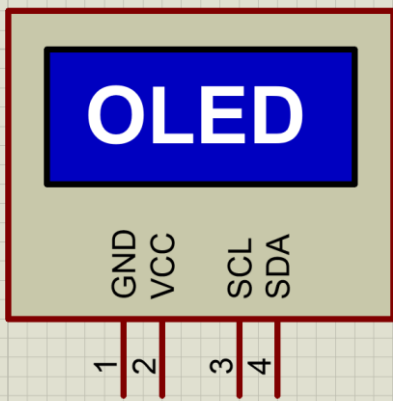
<https://www.3dcontentcentral.com/secure/download-model.aspx?catalogid=171&id=399521>







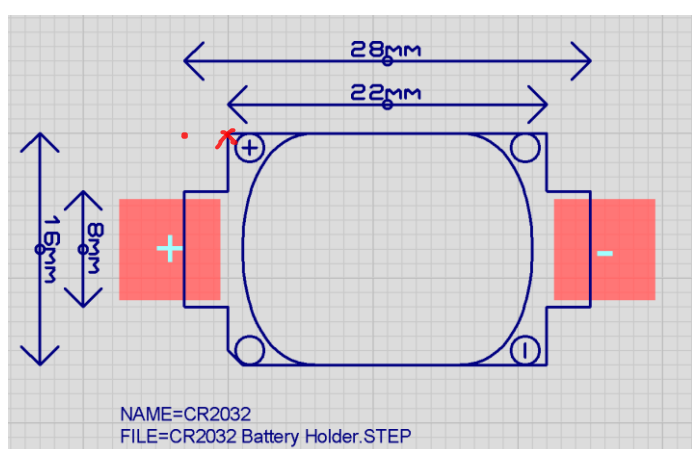
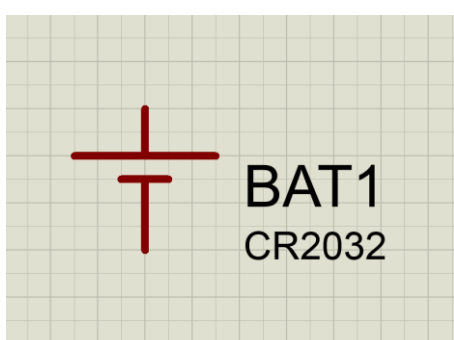
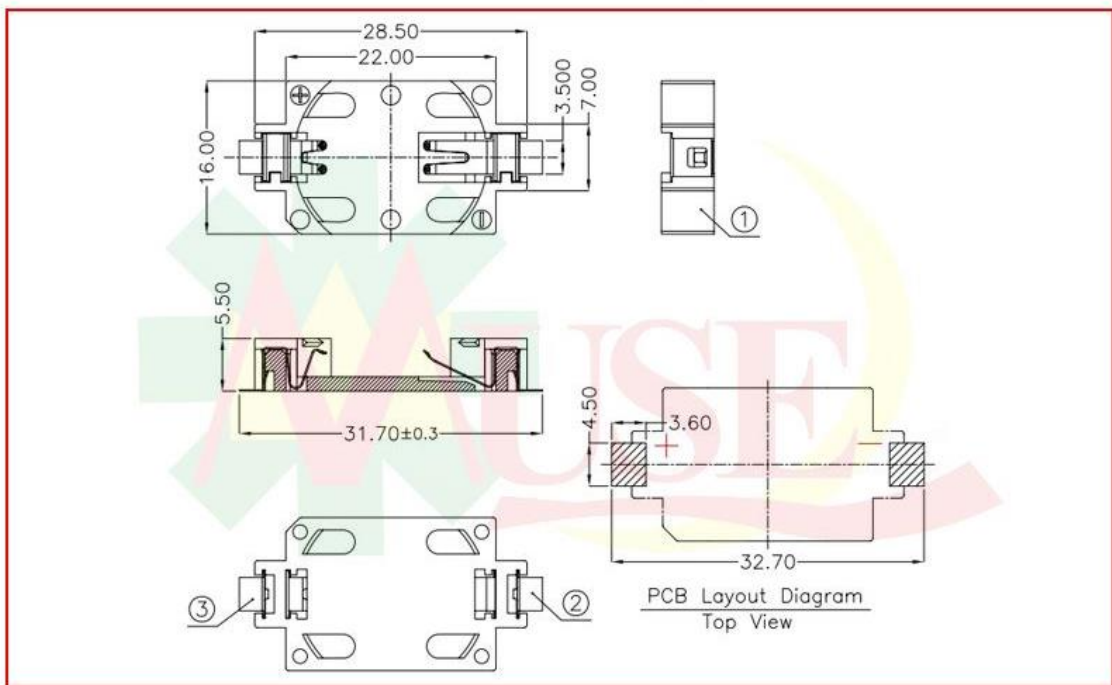
LCD2
OLED

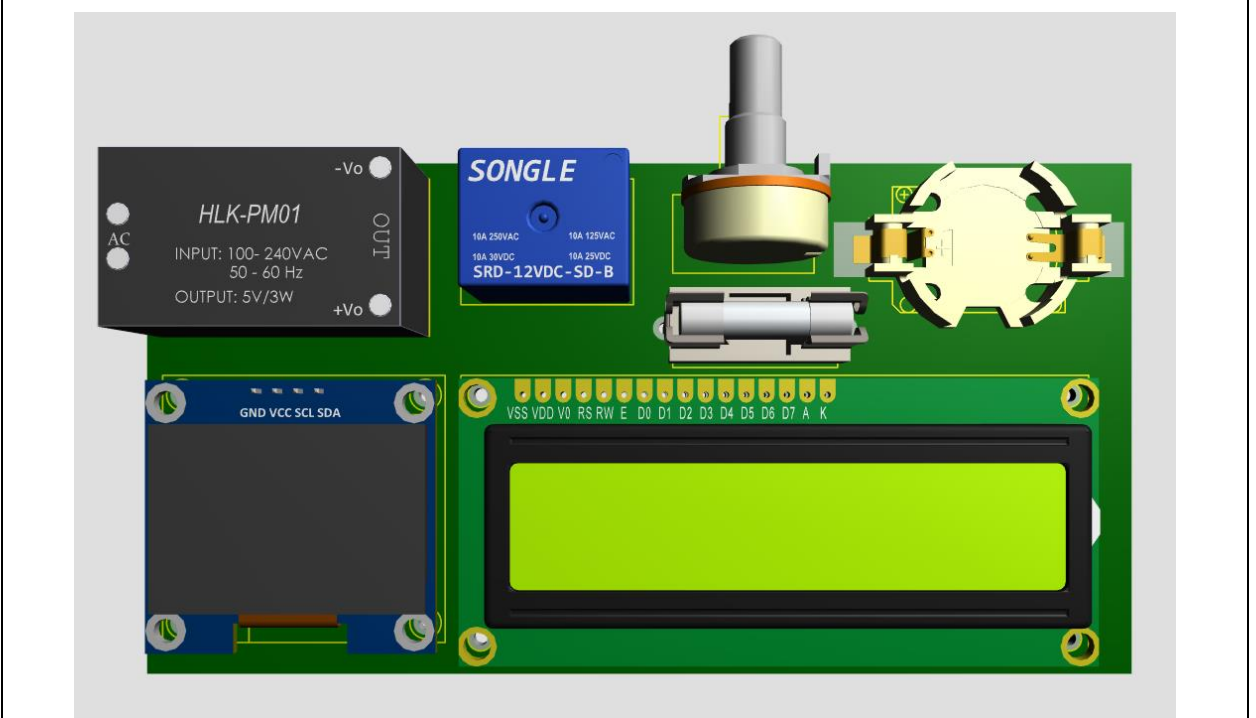
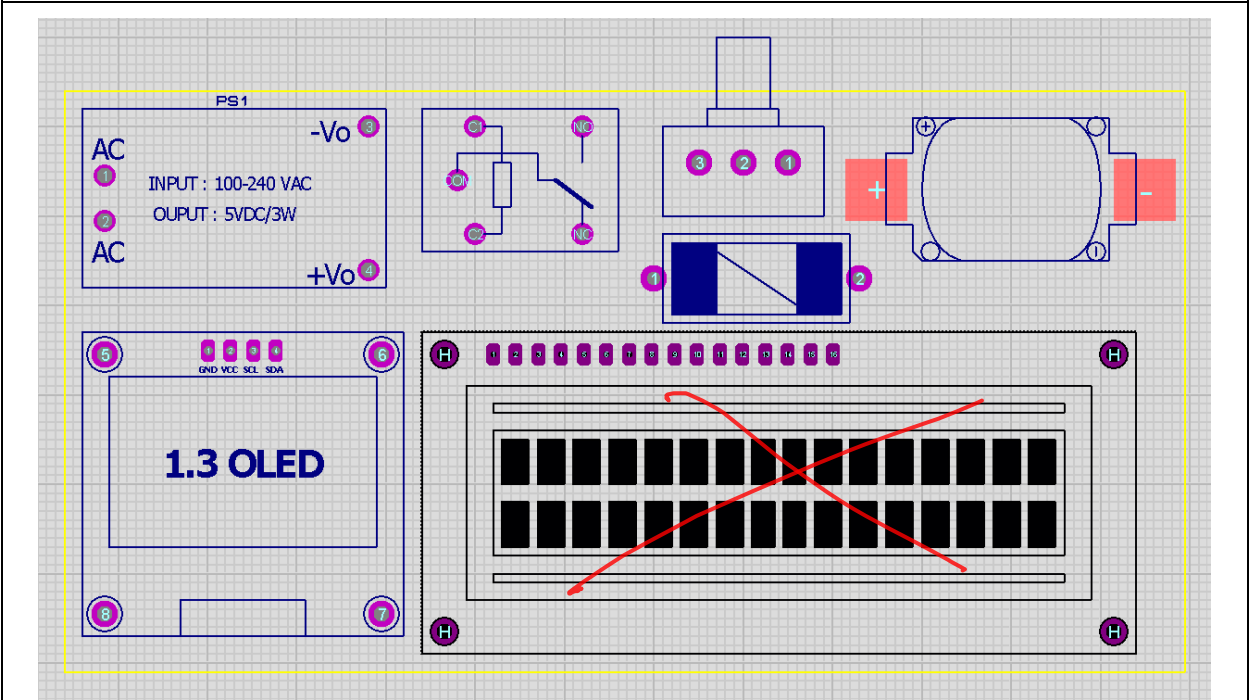
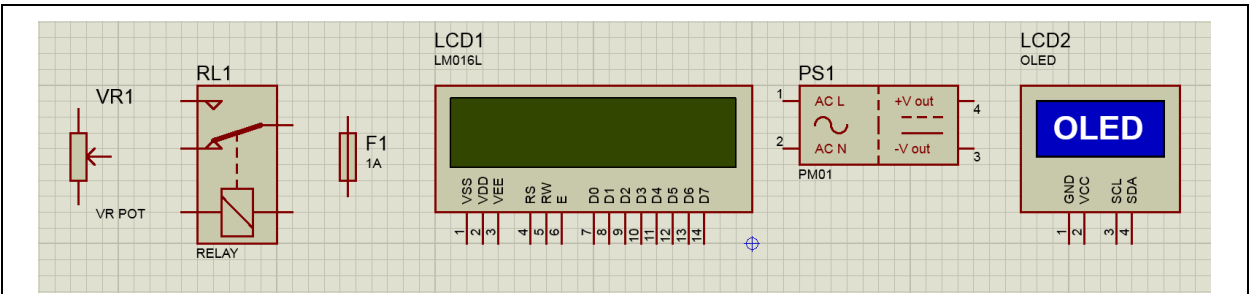


<https://www.3dcontentcentral.com/secure/download-model.aspx?catalogid=171&id=1467295>



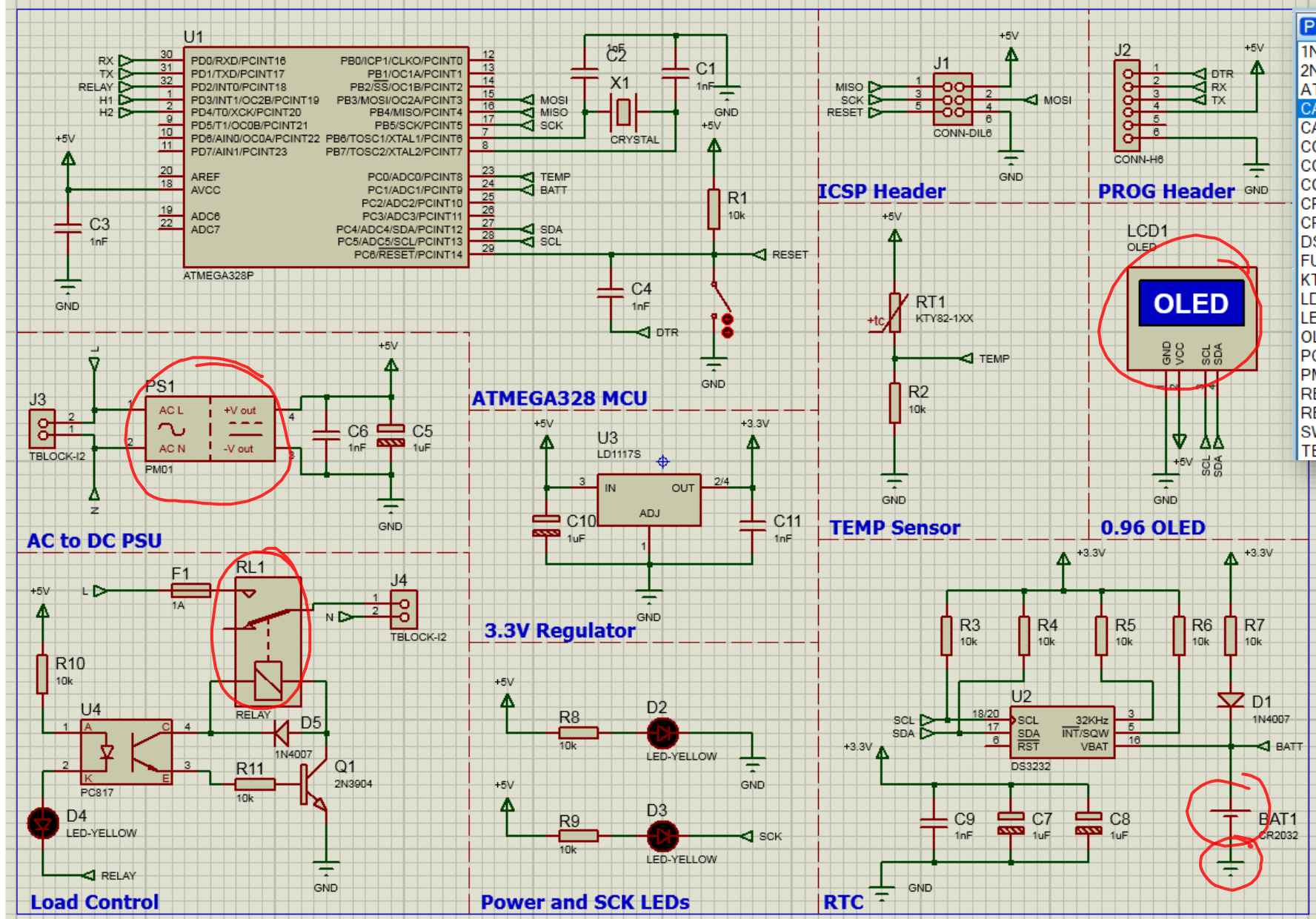
BH-CR2032-SMT-WH Battery Holder





MCAD

https://drive.google.com/drive/folders/1f19S6yVfRXC28c1M7gtL5HucdNHWv_yu?usp=sharing



P	L	DEVI
		1N4007
		2N3904
		ATMEGA328P
		CAP
		CAP-ELEC
		CONN-DIL6
		CONN-DIL8
		CONN-H6
		CR2032
		CRYSTAL
		DS3232
		FUSE
		KTY82-1XX
		LD1117S
		LED-YELLOW
		OLED
		PC817
		PM01
		RELAY
		RES
		SWITCH
		TBLOCK-12

